

www.scanfly.it

scanfly

PRO

Introducing the Scanfly PRO, the 3DT's compact high-performance mapper. Engineered for excellence, this multi-platform LiDAR solution performs with no compromises even in the most challenging GNSS conditions, from tunnels to dense urban canyons. When unprecedented accuracy meets the unmatched versatility.

Redefine mapping: anytime, anywhere with ScanflyPRO!

REV 01 - 06.10.2023

REV 06.10.2023



Lidar: Hesai XT32M2X



INS: Applanix AP+ 20
Dual GNSS Receiver enabled



Multi-platform
Tool-less mounting accessories
Cable free design



Carry case



Multi-sensor interface
24-62 MP Sony cameras
60.5 MP 360° panoramic camera



SmartProcessing Lidar software
SLAM enabled
GCP and Strip Alignment tool
Image blurring tool



CE Marking
Ingress Protection IP55



scanfly

PRO



OVERVIEW

Weight: 1.4 kg
 Dimensions: 180 x 133 x 142 cm
 Scan Rate: up to 1 920 000 points/s
 Range: 300 m
 Recommended :AGL: 15-85 m
 Precision: 2 cm ①③
 Accuracy: 2 cm ①③
 Certification: IP55 / CE ④
 Control methods:
 Capacitive touch button
 Scanfly WebApp
 SmartSurvey (for Windows OS) ②
 Post-processing:
 SmartProcessing Lidar ②

LIDAR

LASER CLASS	Class 1 eye safe (wavelength 905 nm)
CHANNELS	32
ROTATION RATE	5-20 Hz
NUMBER OF RETURNS	3
RANGE ACCURACY	10 mm

INS

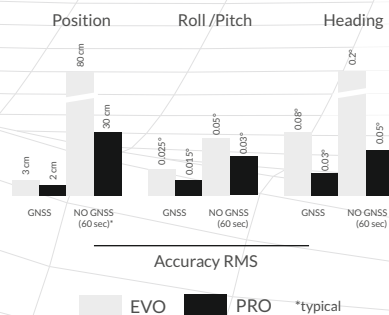
GNSS	
CHANNELS	2 x 336
CONSTELLATIONS	GPS/Glonass/Beidou/Galileo/QZSS/SBAS
OPERATION MODE	PPK - RTK (optional)

IMU	
DATA RATE	200 Hz (1 kHz internal rate)
ACCURACY	Roll/Pitch 0.015° / Heading 0.03° ①

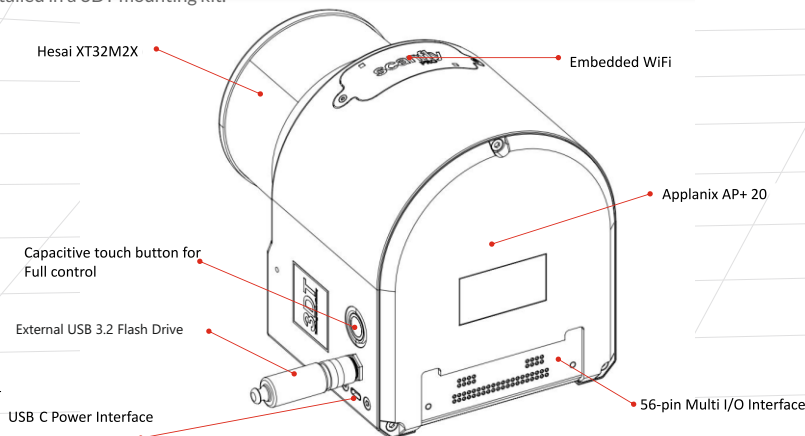
GENERAL

INTEGRATION INTERFACE I/O	56 pin receptacles Ethernet, USB, Sensor power, Camera trigger/strobe, GNSS
WiFi	Embedded
STORAGE	External USB 3.2 Flash Drive, up to 256 GB
BUTTON	Capacitive touch button
MOUNTING KITS ②	3DT-SF-v3-SKY - DJI Skyport adapter 3DT-SF-v3-LMK - Land vehicles and backpack mount 3DT-SF-v3-INT - General purpose integration kit
RGB CAMERAS SUPPORTED ②	24-62 MP Sony cameras 60.5 MP NCTech iStar Pulsar + panoramic camera
OPERATING TEMPERATURE	- 10° + 40° C
POWER SUPPLY	12-24 V max 30 W (typical)

COMPARISON



- ① PPK performance in open-sky GNSS environment.
- ② Not included, available separately.
- ③ RMS 1 σ , measured at 50 m distance.
- ④ When installed in a 3DT mounting kit.



All features, functionality and other product specifications are subject to change without notice or obligation.



scanfly



On board



Backpack



Flying